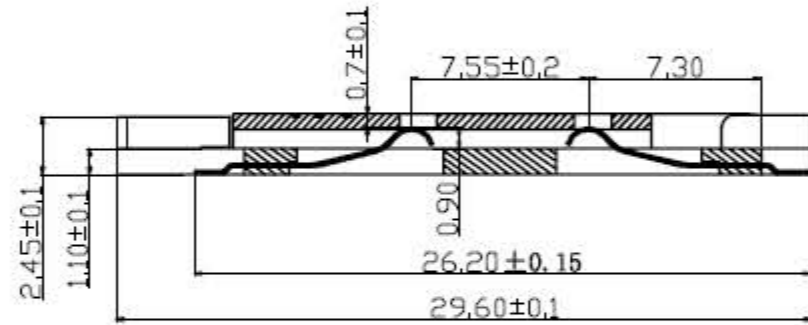
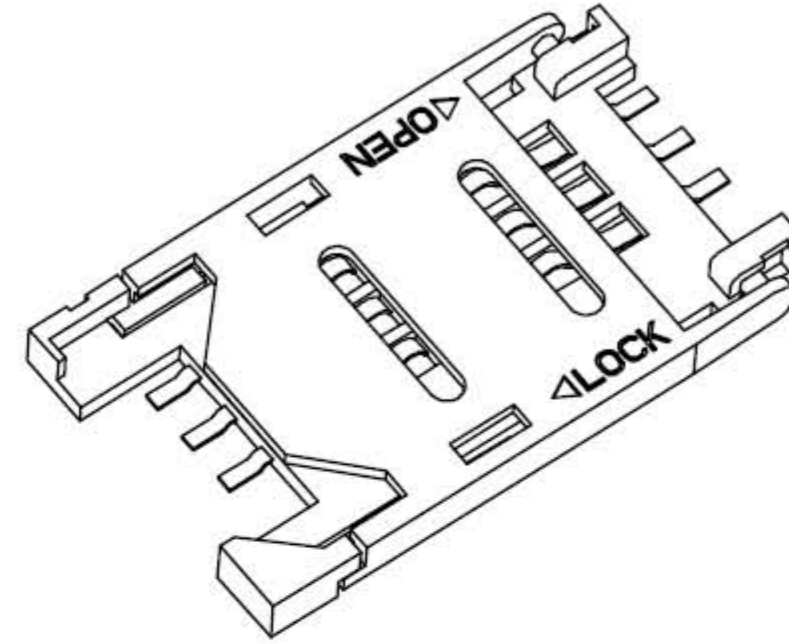
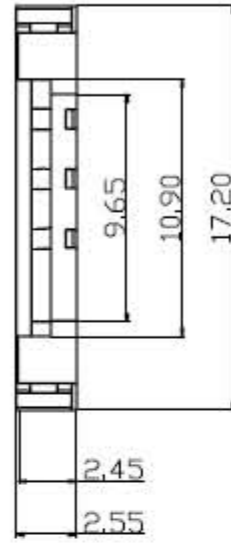
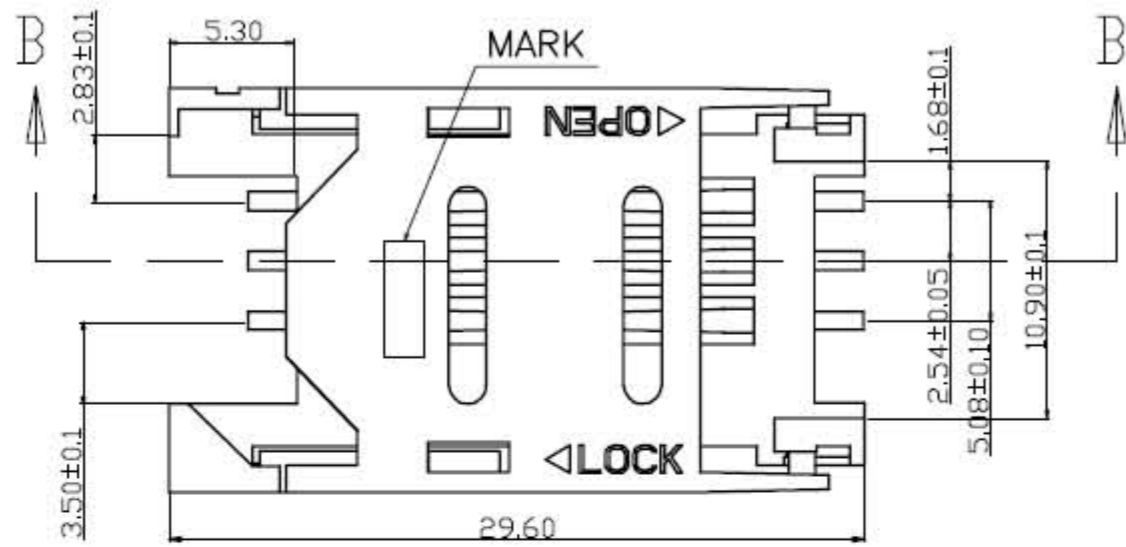
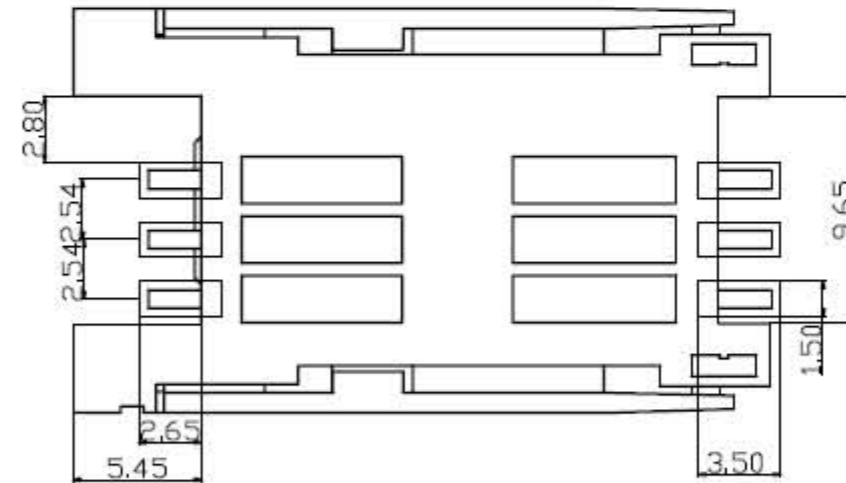
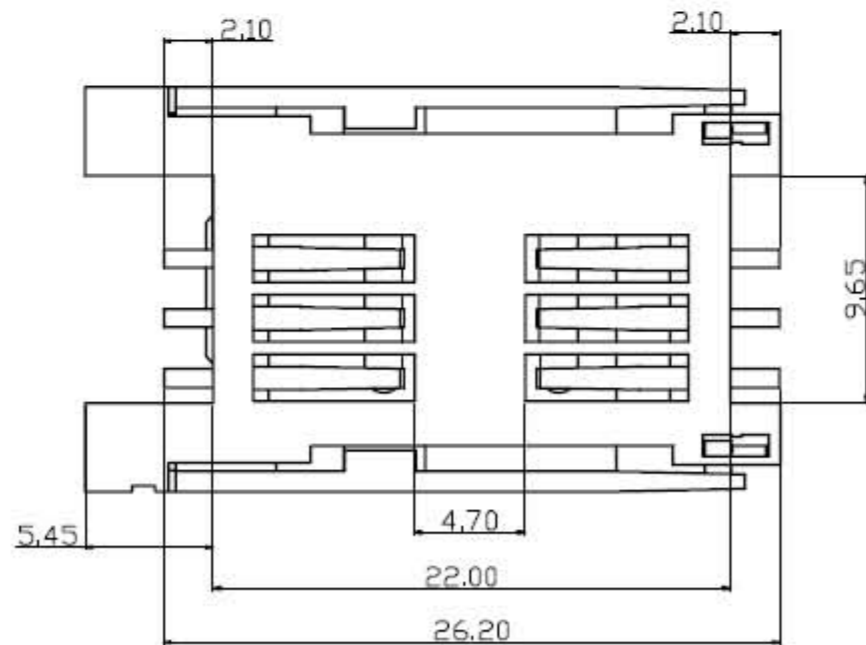


ITEM:ICA-501-006 (KSI-06211-AP) 6PI



SECTION B-B



PCB

A. Material:

1. Insulator: High temperature thermoplastic: UL94V-0, (BLACK LCP)
2. Pho. Bronze: Plating, 50U" MIN NICKEL UNDERPLATED; 3-8U" ON THE CONTACT AREA; 100U" TIN PLATING ON SOLDER TAIL

B. Electrical specifications:

- Voltage rating: 12 V AC
- Current rating: 0.5A
- Dielectric strength: 250V AC for 1 minute min
- Insulation resistance: 500 M ohm
- Contact resistance: 50 mill.ohm max
- Operation temperature: -40°C to +105°C
- Product withstanding rff low soldering 260°C for 10s

C. Mechanical specifications:

- 3.1 Durability: 5000 cycles

RUI CHI